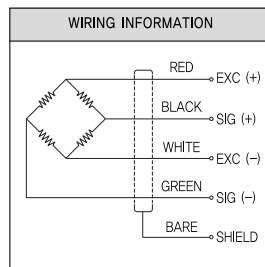
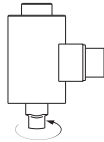


# Socket Wrench Rotary Torque Sensors

## >Model TCN23

- Adaptable for portable usage
- No special adapter tools required
- Precision repeatable torque measurements
- Calibration reference for 'hard usage' mechanical torque wrenches



## >SPECIFICATIONS

Specifications	Accuracy
Rated capacity(R.C.)	2~1000kgf-cm
Rated output(R.O.)	1mV/V±1%
Nonlinearity	0.3% R.O.
Hysteresis	0.3% R.O.
Repeatability	0.2% R.O.
Excitation recommended	10V
Terminal resistance, input	350Ω ±30Ω
Terminal resistance, output	350Ω ±2Ω
Insulation resistance bridge	2000MΩ
Temperature range, compensated	-10~60°C
Temperature range, safe	-10~80°C
Safe overload	120% R.C.
Cable length	Ø5, 4core, 5m

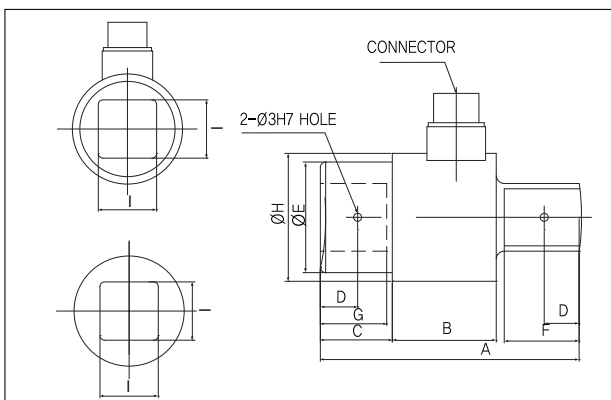
## >DIMENSIONS TABLE

Unit:mm

Capacity	A	B	C	D	ØE	F	G	ØH	I
2 kgf-cm	58	33	12	4	14	11	11	28	1/4"
5,10 kgf-cm	60	33	13	5.5	16.5	12.5	12	28	3/8"
20,50 kgf-cm	60	33	13	5.5	16.5	12.5	13	28	3/8"
100,200kgf-cm	71	37	16	7	22	16	17	28	1/2"
500,1000kgf-cm	98	39	27	14	41.5	29	27	48	1"

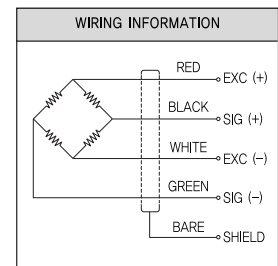
## >DIMENSIONS

unit:mm



## >Model TCN129

- Static torque sensor
  - Made of aluminum alloy
  - Compact structure, easy to install
  - Used for static, non-continuous rotational torque force measurements
- Protection Class IP65

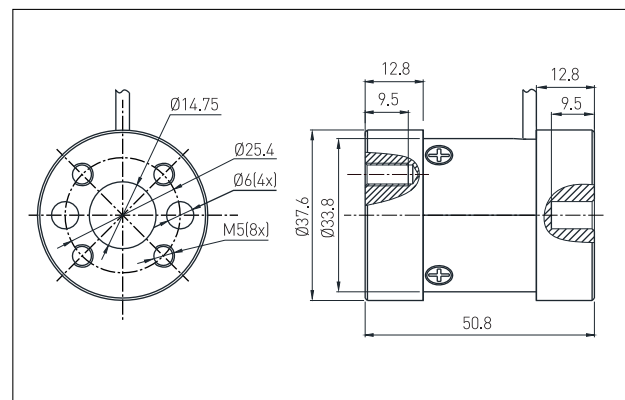


## >SPECIFICATIONS

Specifications	Accuracy
Rated capacity(R.C.)	10, 20, 30, 50, 100 (N-m)
Rated output(R.O.)	2.0±10% mV/V
Zero balance	±2% R.O.
Nonlinearity	0.5% R.O.
Hysteresis	0.25% R.O.
Repeatability	0.1% R.O.
Creep [30min]	0.5% R.O.
Temperature effect on rated output	0.05% LOAD/10°C
Temperature effect on zero balance	0.05% R.O./10°C
Terminal resistance, input	350±30Ω
Terminal resistance, output	350±5Ω
Insulation	2000MΩ
Excitation recommended	10V
Excitation maximum	15V
Temperature range, compensated	-10~60°C
Temperature range operation	-20~80°C
Safe overload	120% R.O.
Ultimate overload	200% R.O.
Cable length	Ø3, 4core cable 3m

## >DIMENSIONS

unit:mm



★Specifications are subject to change without notice.